

WKS SPRAYS

High-quality lubricants for every application.

In addition to the application-specific design of our chains, the use of the right lubricant also plays a decisive role for wear resistance and therefore for the lifespan of your drive system.

We therefore offer our high-performance WKS lubricants for every application, including relubrication, in addition to the initial lubrication of our chains.

The Wippermann range of products not only offers the versatile WKS chain sprays, but also includes over 30 high-quality lubricants for every application. WKS-Plus, WKS-Spezial and WKS-H1 are also available in 5 liter containers for use in lubrication systems.

The advantages of the WKS chain sprays

- Suitable for relubrication of all drive, timing, conveyor and lifting chains
- Reduces joint wear and chain elongation sustainably
- Optimum corrosion protection
- Free of silicone, chlorine and soap
- Spray can with an extended nozzle for precise handling with low spray loss

Application tips for effective use

- Spray distance about 20 cm
- Targeted spraying of the joint spaces for optimum supply of bolts and bushes with lubricant

CONSULTATION

Technically and economically efficient.

The optimum lubrication of the drive system is crucial for the efficiency of your system. Thanks to our extensive engineering expertise, we offer you individual lubrication solutions that efficiently reduce the aging and wear processes of all components through optimum corrosion protection and minimization of frictional resistance.

The extension of the relubrication intervals as well as the positive effect on the energy consumption of the drive further add to the efficiency of the system. Benefit from our many years of experience from numerous test series and applications to optimize your drive systems.

Your contact at Wippermann

Our experts will be pleased to answer all of your questions regarding the properties and areas of use of our lubricants. We look forward to your individual enquiry!

Wippermann Engineering

engineering@wippermann.com

Tel. +49 2331 782-0

Fax +49 2331 782-455

Wippermann jr. GmbH

Delsterner Str. 133
58091 Hagen
Germany

Phone

+49 2331 782-0

Fax

+49 2331 782-356

E-Mail

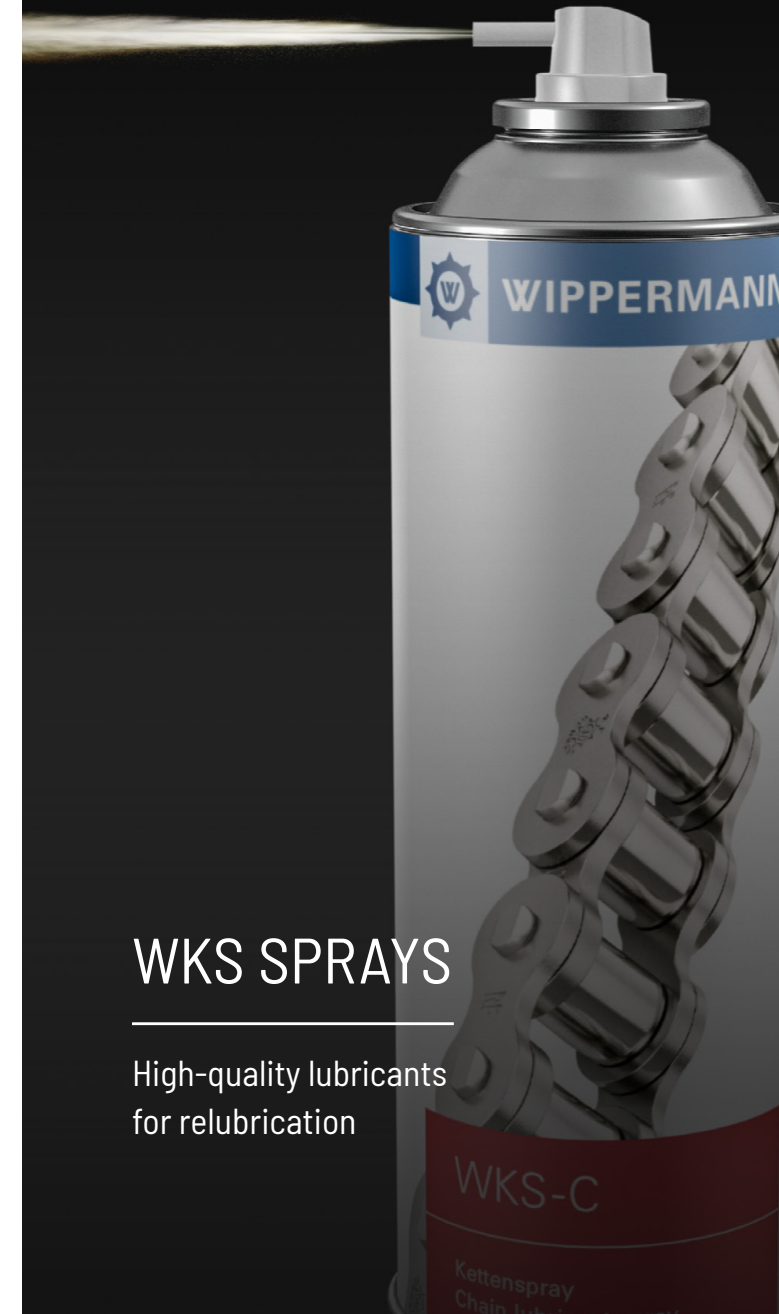
info@wippermann.com

Internet

wippermann.com



WIPPERMANN

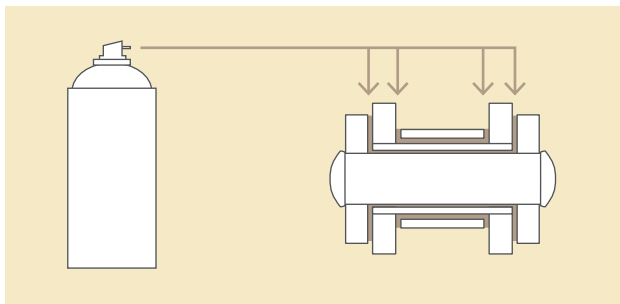


WKS SPRAYS

High-quality lubricants
for relubrication

WKS-C

Kettenspray
Chain Lubricant





WKS-C

High-performance chain spray
-10 bis 100 ° C

500 ml

The newly developed high-performance chain spray by Wippermann achieves outstanding results with regard to wear protection, adhesion and care. WKS-C is also water-repellent and therefore the optimum solution in corrosive environments.

Properties

- Free of silicone, chlorine and soap, made from mineral oils, waxes and additives
- Water-repellent and particularly suitable for corrosive environments
- High adhesive strength, non-dripping, good creep capability
- Excellent corrosion protection
- Significant reduction of aging and wear processes
- Removes old crusted and cracked residues
- No known adverse interactions with other materials

Areas of application

- Lubrication of drive, control, lifting and transport chains
- Use in maritime, industrial or agricultural plants
- Suitable for relubrication of mineral oil base initial lubrications
- Can also be sprayed overhead



WKS-PLUS

High-temperature chain spray
-10 bis 240 ° C

400 ml

The optimum solution for the use in high-temperature areas of many industries. Removes varnished and cracked residues while being physiologically safe. With its excellent adhesive properties, WKS-Plus can also be sprayed overhead.

Properties

- Free of silicone, chlorine and soap, made from synthetic oils and additives
- High adhesive strength, non-dripping, good creep capability under high temperatures
- Removal of varnished and cracked residues
- Corrosion protection
- Reduction of aging and wear processes
- Low residue forming without gumming and varnishing
- Temperature stability and aging resistance
- High paint compatibility
- Physiologically safe according to the regulations of the German Food and Feed Code (LFGB)

Areas of application

- Lubrication of drive, control and transport chains
- Use in hot environments, such as paint dryers in the automotive industry, shrink tunnels in the food industry, tenter frames in the textile industry or transport chains in circular conveyors
- Relubrication of mineral oil base initial lubrications after prior inspection
- Can also be sprayed overhead



WKS-SPEZIAL

Universal chain spray
-10 bis 80 ° C

500 ml

The proven lubricant offers good adhesive strength and corrosion protection for dry applications in agriculture and industry. It forms the technological basis for the development of our high-performance lubricants such as WKS-C.

Properties

- Free of silicone, chlorine and soap, made from mineral oils, waxes and additives
- Good adhesive strength and creep capability
- Removal of old crusted and cracked residues
- Good corrosion protection
- Reduction of aging and wear processes
- Not suitable for moist environments
- No known adverse interactions with other materials

Areas of application

- Lubrication of drive, conveyor and lifting chains
- Industrial and agricultural plants and machinery
- Relubrication of mineral oil base initial lubrications
- Can also be sprayed overhead